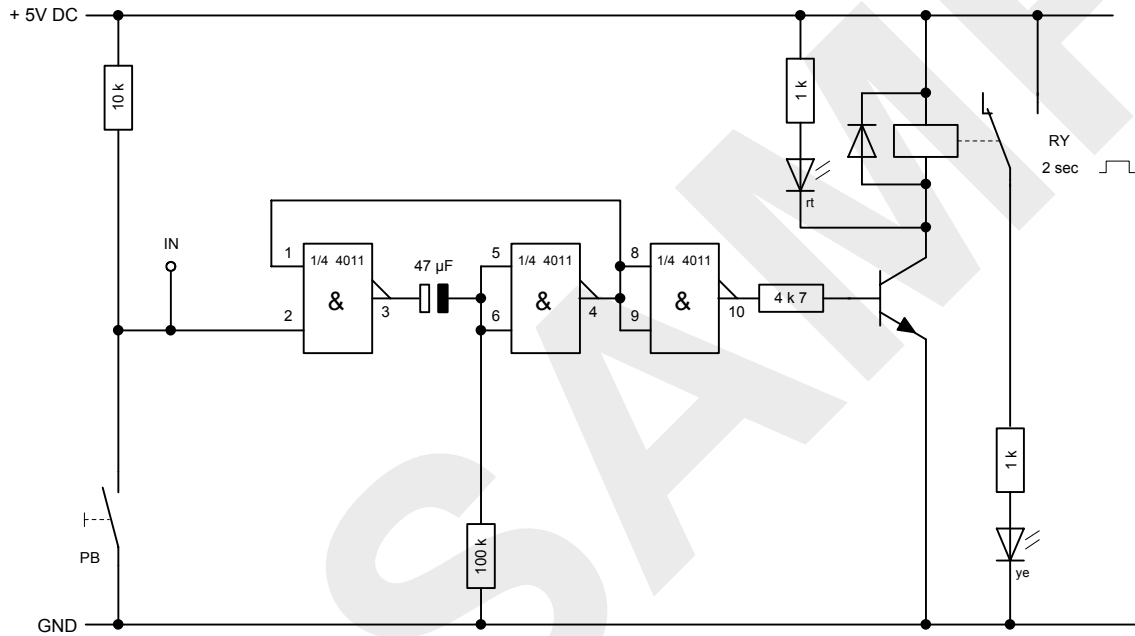


LOW TRIGGER MONO FLOP (ONE SHOT), ACTIVE HIGH OUTPUT, WITH CMOS NAND GATE IC CD4011 & NPN TRANSISTOR RELAY DRIVER



TRANSISTOR
 PNP BC556 NPN BC546

RESISTOR:

DIODE:

LED:

RELAY SRD-05VDC-SL-C:

CAPACITOR:

(POLARIZED)

RELAY "SPDT":

PUSH BUTTON "NO":

PUSH BUTTON "NC":

PUSH BUTTON "1NO - 1NC":

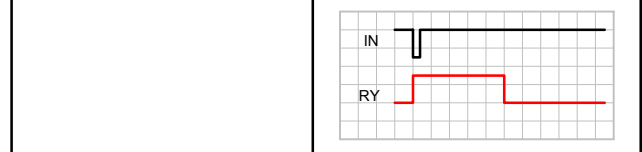
PUSH BUTTON "SPDT":

** FLYBACK DIODE TO ELEMINTATE HIGH VOLTAGE SPIKES ACROSS THE RELAY COIL DURING ENERGIZE AND DE-ENERGIZE (SWITCHING ON & OFF).

NAND GATE SYMBOLS:

ANSI IEC DIN (OLD)

CMOS NAND GATE IC 4011:



FOR FULLY COMPONENT SPECS. SEE MANUFACTURER DATASHEETS		FIGURES ARE APROXMIATELY, DUE TO COMPONENT TOLERANCES !		
TI-2	A4	udo@elgers.com	ue-ERT20210517-15	17-MAY-2021
042	A	CD4011 TIMER EXPERIMENT 15		