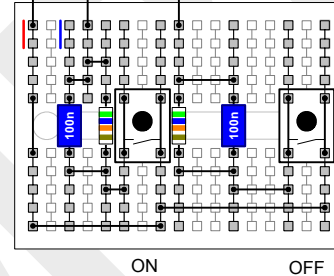
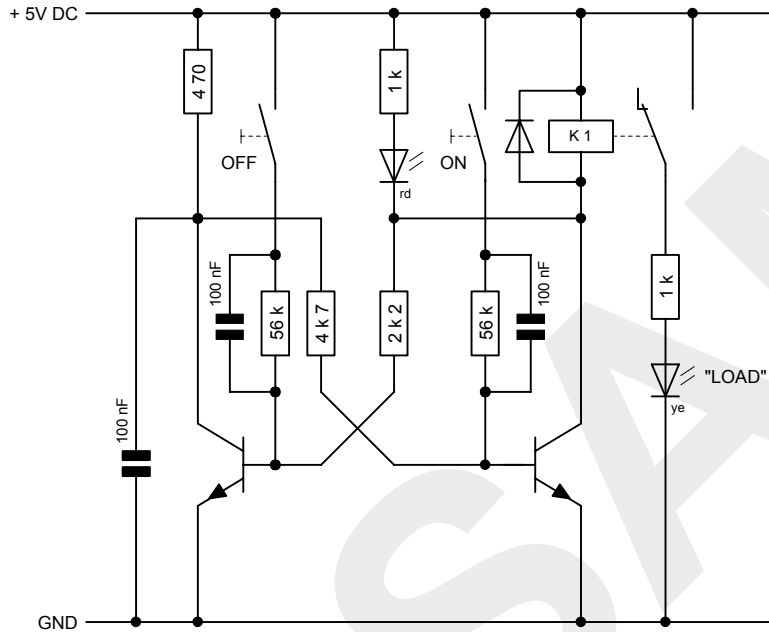


**5 VDC RELAY ON/OFF TOGGLE FUNCTION,  
HIGH (1) TRIGGERED TRANSISTOR (BISTABLE) RS-FF**



**TRANSISTOR**

PNP BC556    NPN BC546

**RESISTOR:**

**DIODE:**

**LED:**

**RELAY SRD-05VDC-SL-C:**  
...soldered jumper wire

**TOP VIEW**

**CAPACITOR:**

**(POLARIZED)**

**RELAY "SPDT":**

**PUSH BUTTON "NO":**

**PUSH BUTTON "NC":**

**PUSH BUTTON "1NO - 1NC":**

**PUSH BUTTON "SPDT":**

\*\* FLYBACK DIODE TO ELEMENATE HIGH VOLTAGE SPIKES ACROSS THE RELAY COIL DURING ENERGIZE AND DE-ENERGIZE (SWITCHING ON & OFF).

FOR FULLY COMPONENT SPECS. SEE MANUFACTURER DATASHEETS				
RY-1	A4	udo@elgers.com	ue-ERT20210303-05	03-MAR-2021
020	A	RELAY - EXPERIMENT 15		