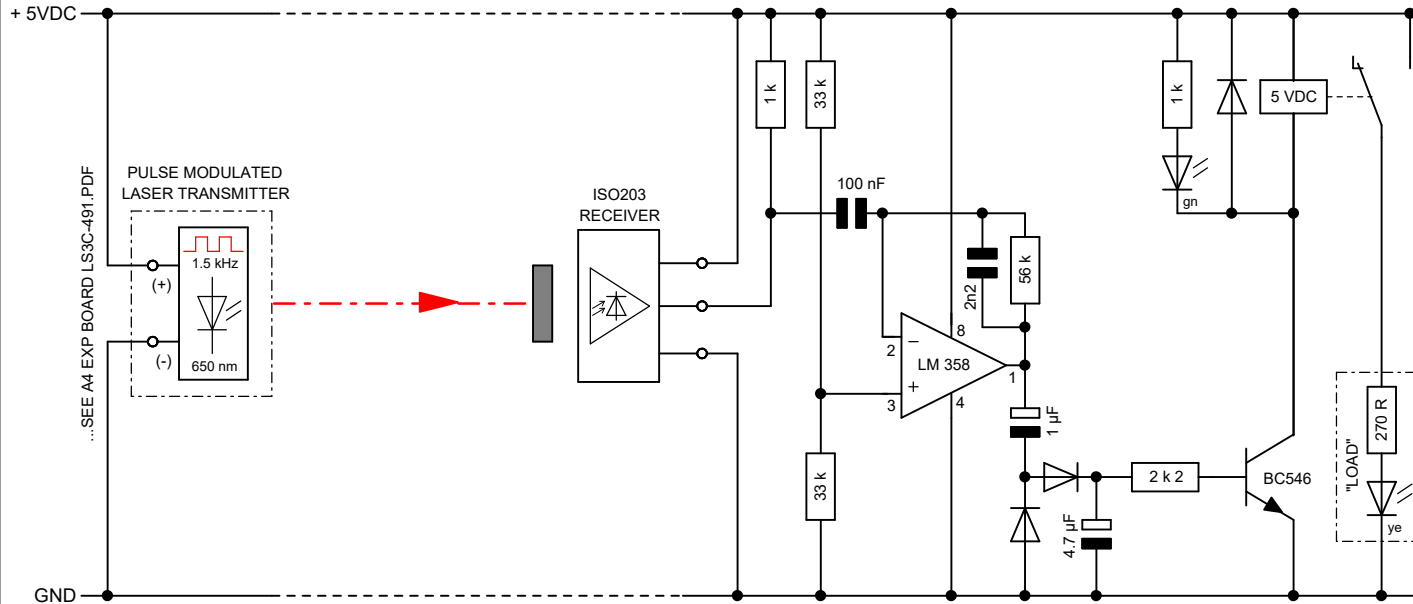


PULSE MODULATED LASER LIGHT BARRIER (TO AVOID DISTURBANCE FROM AMBIENT LIGHT) WITH ISO203 RECEIVER, RELAY IS NOT ENERGIZED (OFF) WHEN LASER BEAM IS BLOCKED



TRANSISTOR
 PNP BC556 NPN BC546

RESISTOR:
DIODE:
LED:
 1N4148
BOTTOM VIEW

UE-034 DIY PLUG-IN LASER TRANSMITTER / ISO203 RECEIVER SET

LASER TRANSMITTER
ISO203 RECEIVER

OP-AMP IC LM 358:

 1 = OUTPUT (A) 5 = NINV INP (B)
 2 = INV INP (A) 6 = INV INP (B)
 3 = NINV INP (A) 7 = OUTPUT (B)
 4 = GND ref. 8 = V (+)

TIMER IC NE 555:

 1 = GND (-)
 2 = TRIGGER
 3 = OUTPUT
 4 = RESET
 5 = CONTR. VOLT.
 6 = THRESHOLD
 7 = DISCHARGE
 8 = Vcc (+)

CAUTION
LASER RADIATION
 DO NOT STARE INTO BEAM
LASER PROTECTIVE EYEWEAR REQUIRED

FIGURES ARE APROXMIATELY, DUE TO COMPONENT TOLERANCES !
 FOR FULLY COMPONENT SPECS. SEE MANUFACTURER DATASHEETS

LS-3	A4	udo@elgers.com	ue-ERT20260109-07	09-JAN-2026
045	A	LASER - EXPERIMENT		