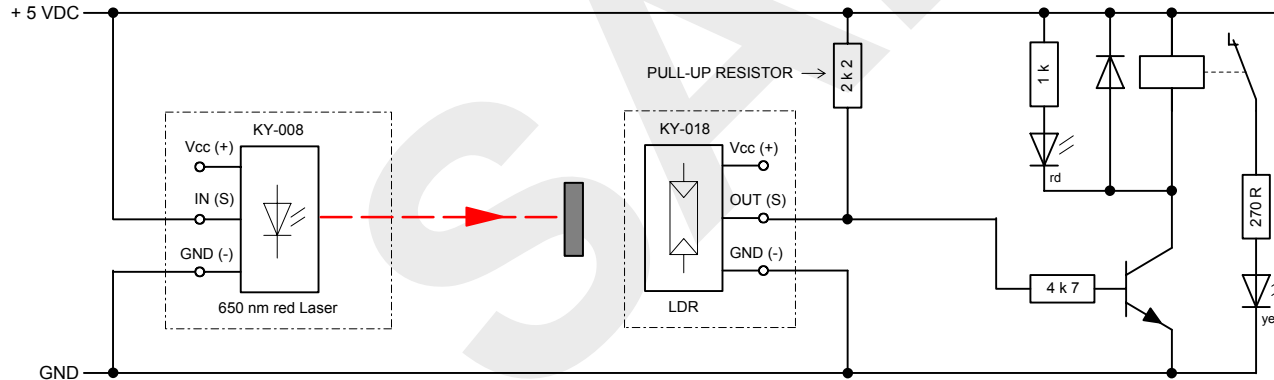
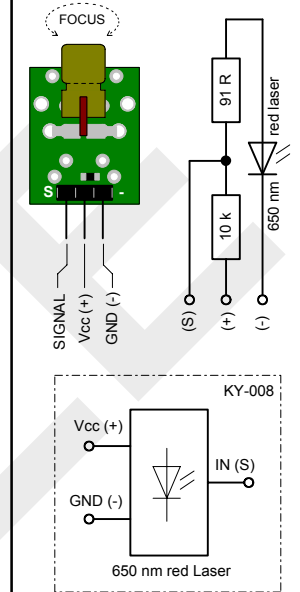


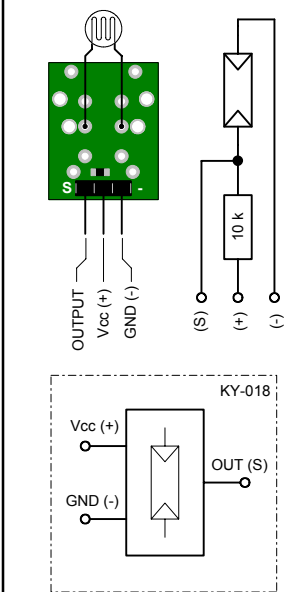
KY-008 LASER / KY-018 LDR MODULES LIGHT BARRIER EXPERIMENT
HIGH TRIGGER NPN TRANSISTOR DRIVER, RELAY IS ENERGIZED WHEN LASER BEAM IS BLOCKED (LDR = DARK)



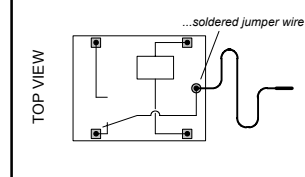
LASER TRANSMITTER MODULE
KY-008:



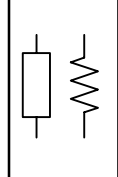
LIGHT DEPENDENT RESISTOR (LDR) MODULE KY-018:



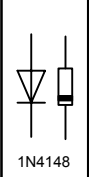
RELAY SRD-05VDC-SL-C:



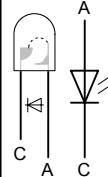
RESISTOR:



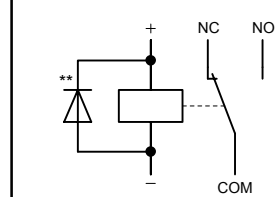
DIODE:



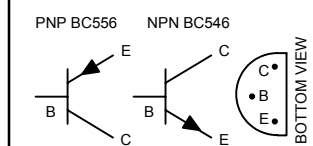
LED:



RELAY "SPDT":



TRANSISTOR



CAUTION
LASER RADIATION
DO NOT STARE INTO BEAM
LASER PROTECTIVE EYEWEAR REQUIRED

FOR FULLY COMPONENT SPECS. SEE MANUFACTURER DATASHEETS

LS-1	A4	udo@elgers.com	ue-ERT20211113-35	13-NOV-2021
035	A	LASER DIODE EXPERIMENT 1C-05		