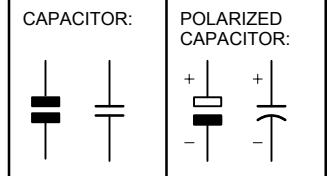
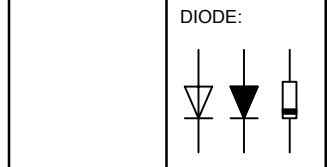
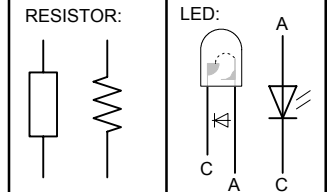
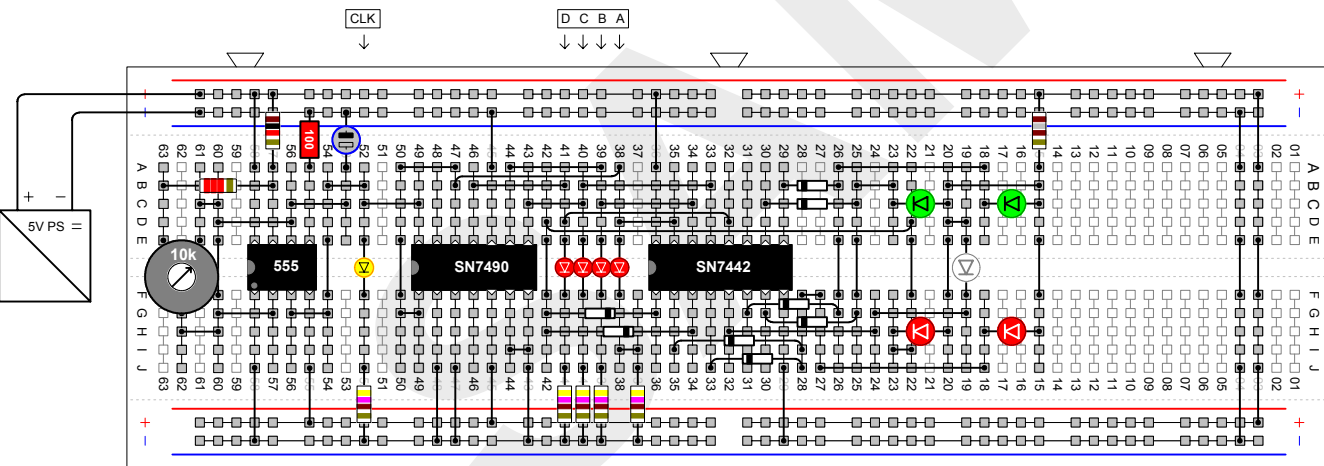
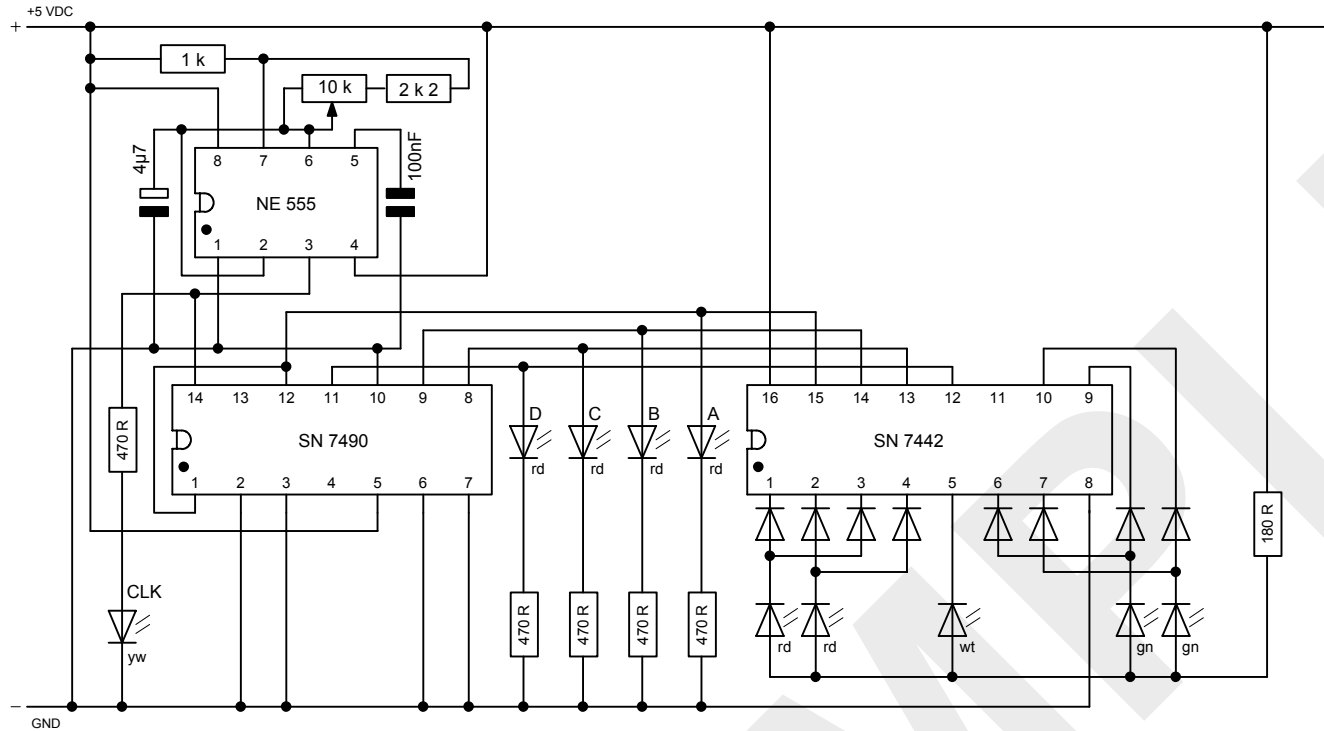


BCD COUNTER INCL. BCD TO DECIMAL CONVERTER EXPERIMENT #6 ( AIR CRAFT NAVIGATION LIGHTS )



TIMER IC NE 555:

- 1 = GND (-)
- 2 = TRIGGER
- 3 = OUTPUT
- 4 = RESET
- 5 = CONTROL VOLTAGE
- 6 = THRESHOLD
- 7 = DISCHARGE
- 8 = Vcc (+)

TTL BINARY COUNTER IC 7490:

- 1 = INPUT B
- 2 = RESET 1
- 3 = RESET 2
- 4 = NC
- 5 = +5 VDC
- 6 = SET 1
- 7 = SET 2
- 8 = QC
- 9 = QB
- 10 = GND (-)
- 11 = QD
- 12 = QA
- 13 = NC
- 14 = INPUT A

TTL BCD TO DECIMAL DECODER IC 7442:

- 1 = OUTP. 0
- 2 = OUTP. 1
- 3 = OUTP. 2
- 4 = OUTP. 3
- 5 = OUTP. 4
- 6 = OUTP. 6
- 7 = OUTP. 7
- 8 = GND (-)
- 9 = OUTP. 8
- 10 = OUTP. 9
- 11 = INP. C
- 12 = INP. D
- 13 = INP. B
- 14 = INP. A
- 15 = INP. A
- 16 = +5 VDC

LE	A4	udo@elgers.com	ue-ERT20200930-01	30-SEP-2020
048	A	TTL AIR CRAFT NAVIGATION LIGHT		