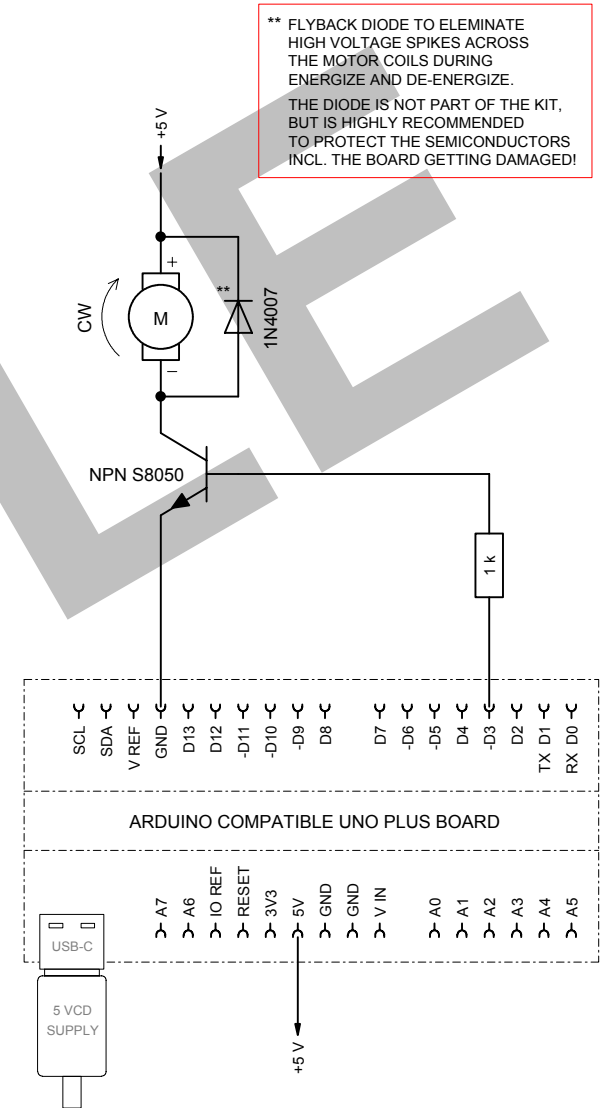


SCHEMATICS:



**** FLYBACK DIODE TO ELEMINTATE HIGH VOLTAGE SPIKES ACROSS THE MOTOR COILS DURING ENERGIZE AND DE-ENERGIZE. THE DIODE IS NOT PART OF THE KIT, BUT IS HIGHLY RECOMMENDED TO PROTECT THE SEMICONDUCTORS INCL. THE BOARD GETTING DAMAGED!**

KS0540 - 16-1. FAN CW INTERMITTENT ON/OFF

TUTORIAL & SKETCH: [HTTPS://FS.KEYESTUDIO.COM/KS0540-0541](https://fs.keyestudio.com/ks0540-0541)

KS-3	A4	udo@elgers.com	ue-ERT20220620-01	20-JUN-2022
020	A	KEYESTUDIO BASIC STARTER KIT - PROJECT 16-1		