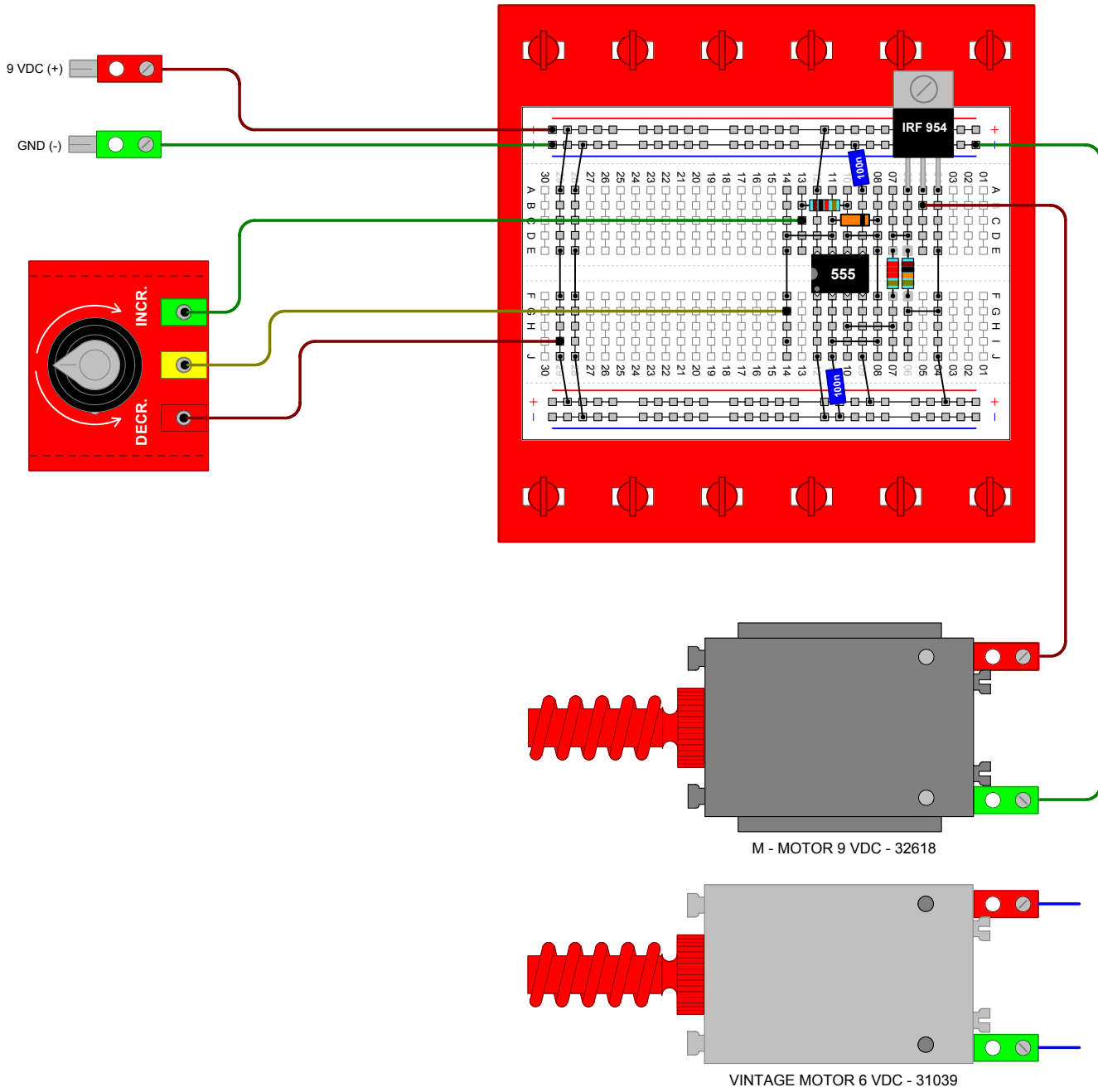
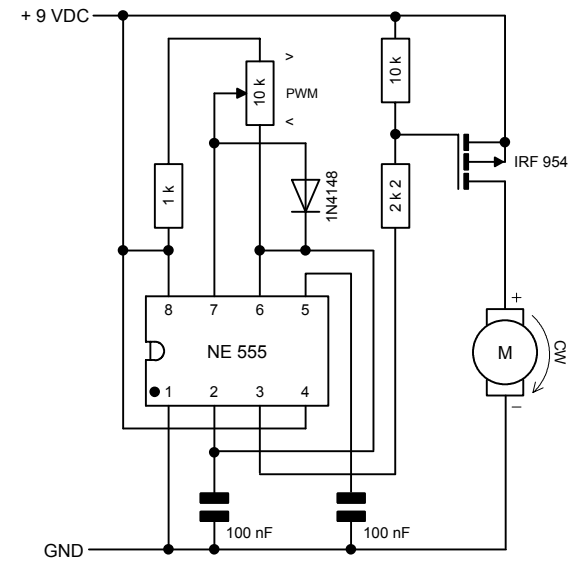


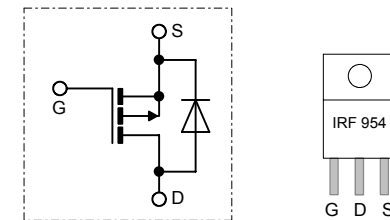
MOTOR SPEED CONTROL BY PWM CIRCUIT WITH NE555 TIMER & P-CHANNEL POWER MOSFET OUTPUT STAGE



SCHEMATICS



IRF954 P-CHANNEL POWER MOSFET



INTERNAL SCHEMATIC DIAGRAM

FIGURES ARE APPROXIMATELY, DUE TO COMPONENT TOLERANCES! MOTOR RPM & AND MOTOR CURRENT ARE STRONGLY DEPENDING ON THE AGE OF THE MOTOR. POLARITY OF MOTOR CONNECTOR VARIES. FOR FULLY COMPONENT SPECS. SEE MANUFACTURER DATASHEETS. BRANDS AND NAMES ARE MENTIONED PURELY FOR INFORMATION PURPOSES.

STEM-M02	A4	udo@elgers.com	ue-ERT20240117-04	17-JAN-2024
040	A	MOTOR CONTROL WITH NE555 PWM - EXP.: 33		