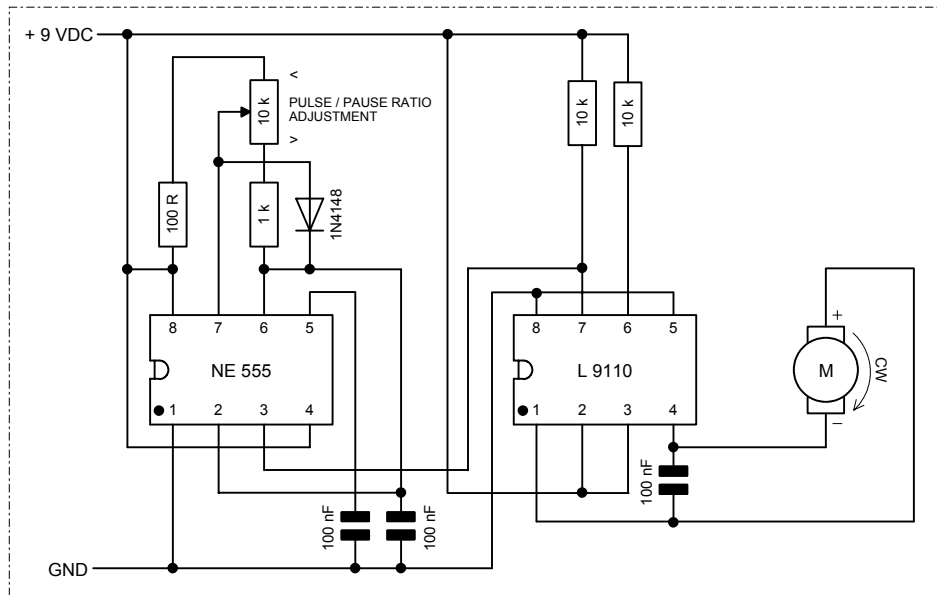


DC MOTOR SPEED CONTROL BY PWM CIRCUIT WITH NE555 TIMER & L9110 POWER OUTPUT STAGE



FIGURES ARE APROXMIATELY, DUE TO COMPONENT TOLERANCES!
 FOR FULLY COMPONENT SPECS. SEE MANUFACTURER DATASHEETS.
 BRANDS AND NAMES ARE MENTIONED PURELY FOR INFORMATION PURPOSES.

STEM-A02	A4	udo@elgers.com	ue-ERT20230727-08	27-JUL-2023
044	A	DC MOTOR PWM CONTROL - EXP.: 32		