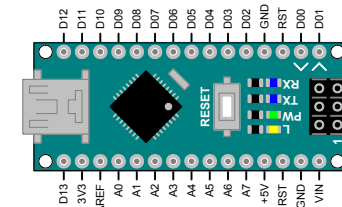
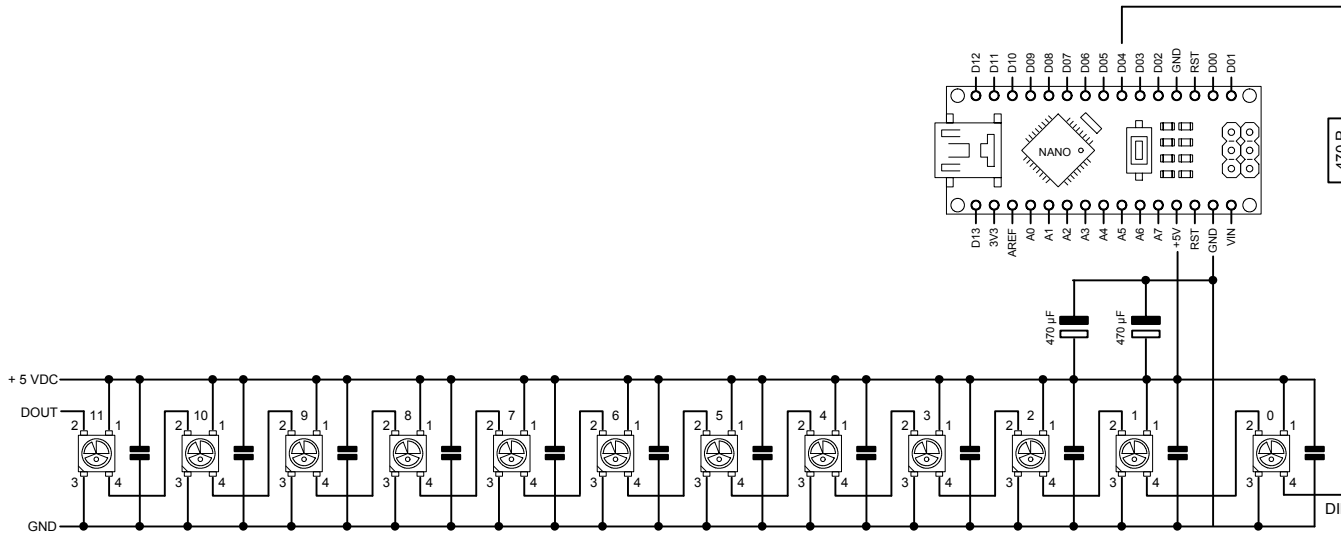


	GREEN	RED	BLUE
0	0	8	16
1	0	0	32
2	0	0	192
3	64	0	64
4	32	0	0
5	128	0	0
6	128	32	0
7	128	128	0
8	25	128	0
9	5	192	5
10	0	128	0
11	0	10	0



FIGURES ARE APPROXIMATELY, DUE TO COMPONENT TOLERANCES!  
 FOR FULLY COMPONENT SPECS. SEE MANUFACTURER DATASHEETS.  
 BRANDS AND NAMES ARE MENTIONED PURELY FOR INFORMATION PURPOSES.

EXSB-M02	A4	udo@elgers.com	ue-ERT20241128-05	28-NOV-2024
004	A	EXSB-Mini BREADBOARD - WS2812b CIRCUIT		