

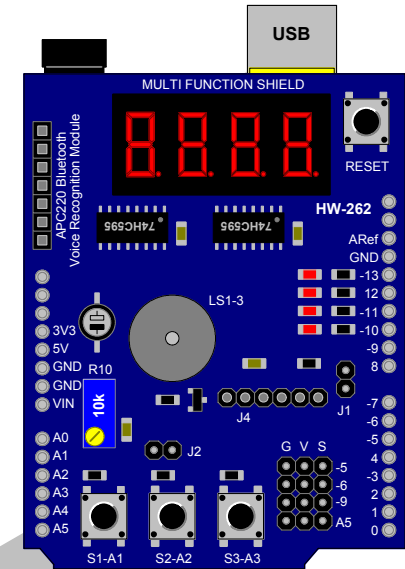
# CONTENT: PROJECT 04 - 7-SEGMENT DISPLAY EXPERIMENTS

## ARDUINO SKETCH

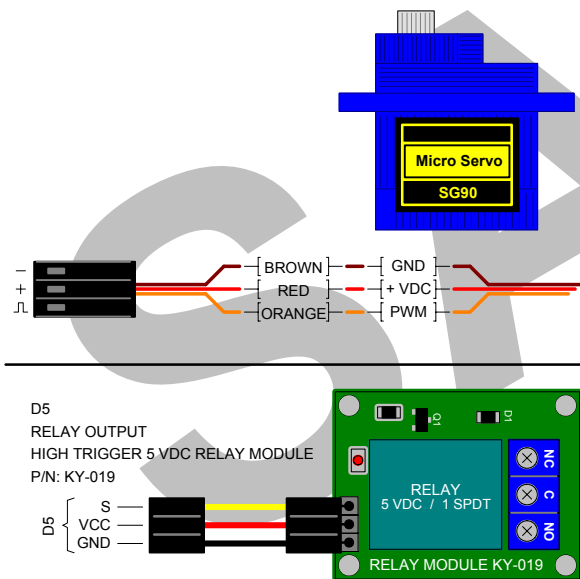
- ue\_AR-MFS-HW262\_Exp-026.ino SLOW SPEED DISPLAY SWITCH OVER DISP1, DISP2, DISP3, DISP4
- ue\_AR-MFS-HW262\_Exp-027.ino VARIABLE SPEED DISPLAY SWITCH OVER DISP1, DISP2, DISP3, DISP4, ADJUSTABLE WITH ON-BOARD POTENTIOMETER
- ue\_AR-MFS-HW262\_Exp-028.ino THREE BUTTON SEGMENT CHASER
- ue\_AR-MFS-HW262\_Exp-029.ino DISPLAY THE WORD „Hold“
- ue\_AR-MFS-HW262\_Exp-030.ino DISPLAY THE WORDS „OPEN“, „PLAY“, „LOAD“, SELECTABLE WITH BUTTONS S1, S2, S3
- ue\_AR-MFS-HW262\_Exp-031.ino DISPLAY THE WORDS „OPEN“, „PLAY“, „LOAD“, SELECTABLE WITH BUTTONS S1, S2, S3 (USING ARRAY)
- ue\_AR-MFS-HW262\_Exp-032.ino DISPLAY VALUE OF ON-BOARD POTENTIOMETER (0-1023)
- ue\_AR-MFS-HW262\_Exp-033.ino DISPLAY RUNNING COUNTER VALUE 0...9999...0...9999...
- ue\_AR-MFS-HW262\_Exp-034.ino RELAY DELAY OFF TIMER WITH DISPLAY COUNT DOWN, S1=5sec, S2=7.5sec, S3=10sec
- ue\_AR-MFS-HW262\_Exp-035.ino SERVO ROTATES 0°...180°...0°—180°..., DISPLAY SHOWS ACTUAL SERVO ANGLE
- ue\_AR-MFS-HW262\_Exp-036.ino SERVO ROTATES 0°...180° CONTROLLED WITH ON-BOARD POTENTIOMETER, DISPLAY SHOWS ACTUAL SERVO ANGLE

## PROJECT DESIGNATION

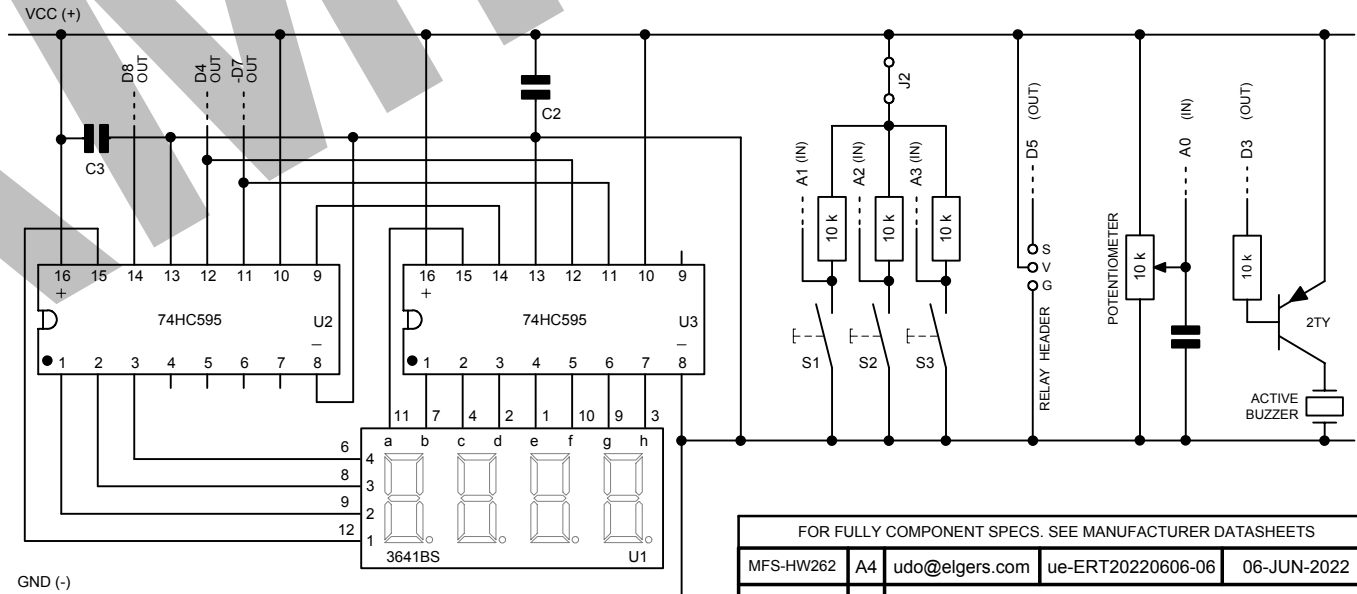
MULTI FUNCTION SHIELD HW-262



SOME EXPERIMENTS REQUIRES THE ADDITIONAL COMPONENTS BELOW:



PRINCIPLE SCHEMATICS OF BOARD COMPONENTS IN USE:



FOR FULLY COMPONENT SPECS. SEE MANUFACTURER DATASHEETS				
MFS-HW262	A4	udo@elgers.com	ue-ERT20220606-06	06-JUN-2022
007	A	MULTI FUNCTION SHIELD HW-262 - PROJECT 04		