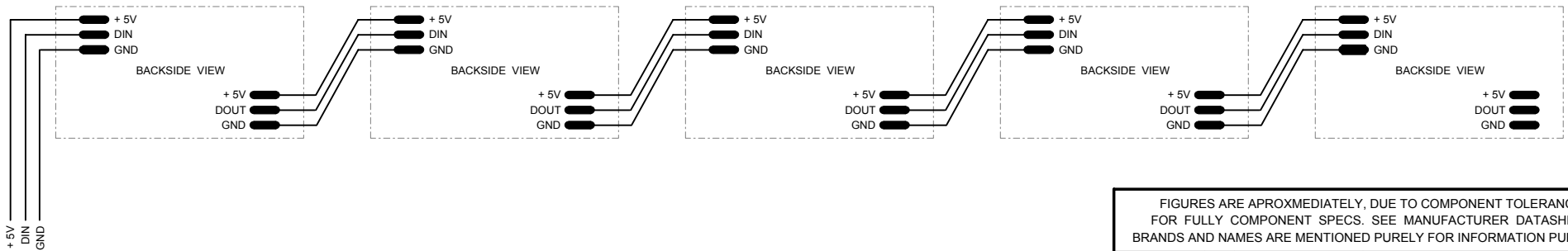
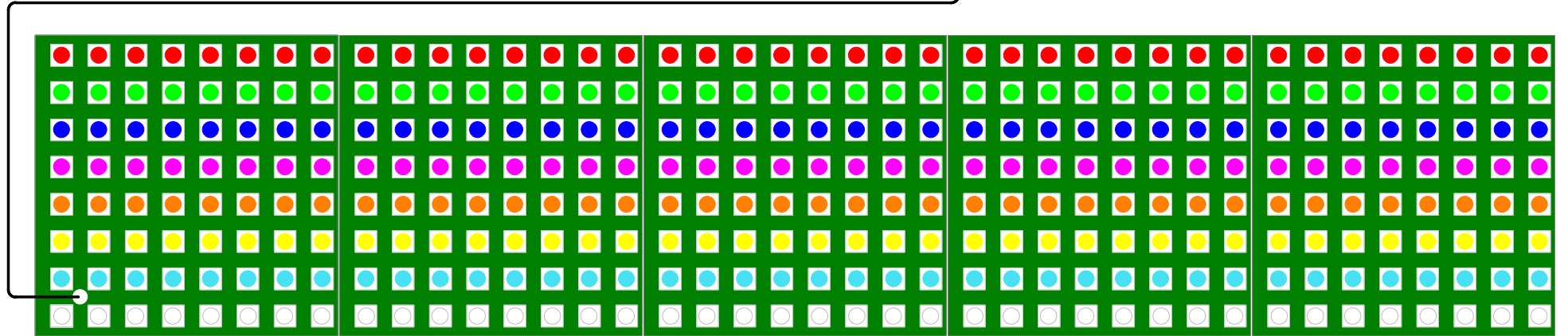
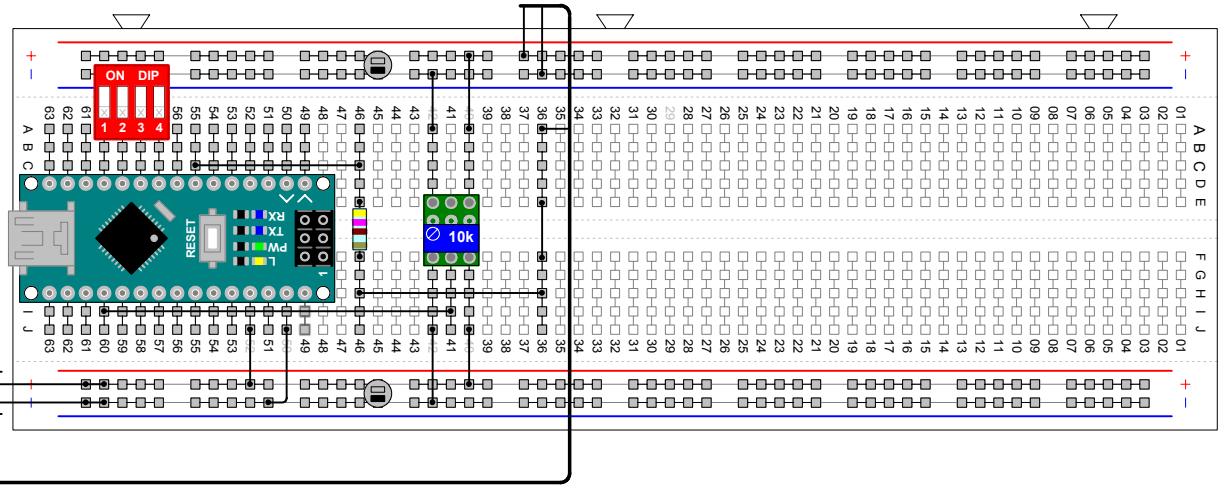
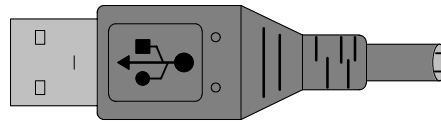


SUPPLY VOLTAGE 5 VDC



Typical experimental setup with five WS2812b 8x8 (64) led matrix.

FIGURES ARE APROXMEIATELY, DUE TO COMPONENT TOLERANCES!
FOR FULLY COMPONENT SPECS. SEE MANUFACTURER DATASHEETS.
BRANDS AND NAMES ARE MENTIONED PURELY FOR INFORMATION PURPOSES.

AR - 11	A4	udo@elgers.com	ue-ERT20250202-02	02-FEB-2025
030	A	5x 8x8 (320) WS2812b LED MATRIX - EXPERIMENTS		