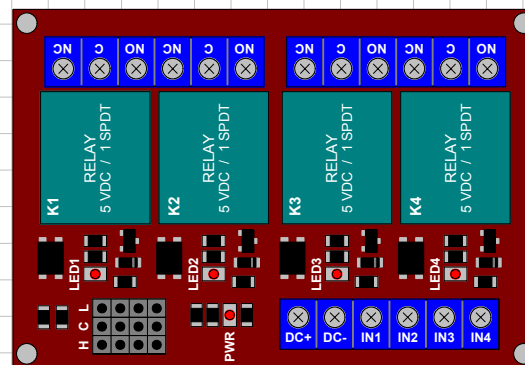


INFO

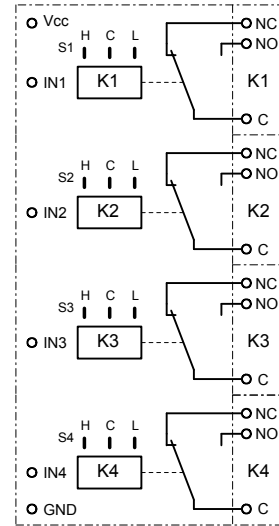
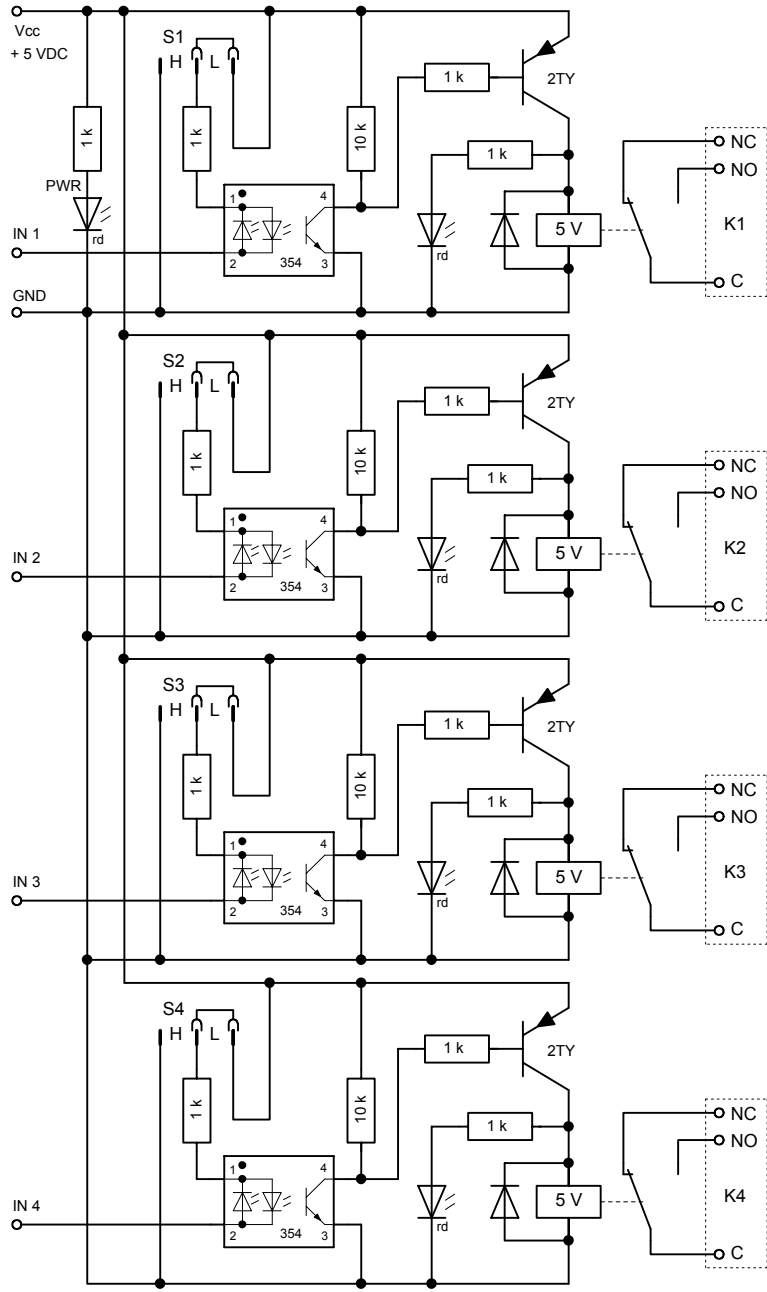
WWW.RETRO-CIRCUITS.COM

4 CHANNEL - OPTO-COUPLER RELAY MODULE

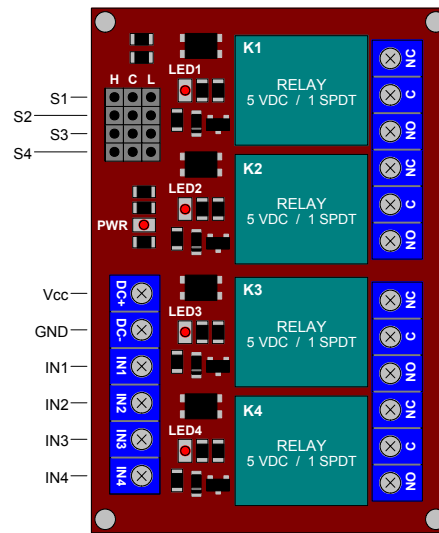
HIGH (1) / LOW (0) LEVEL TRIGGERED 5 VDC RELAY MODULE WITH SPDT CONTACT.



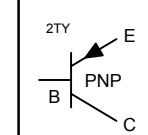
RYM INFO	A4	udo@elgers.com	ue-ERT20210301-24	01-MAR-2021
	A	4 CH. 5 V RELAY MODULE (H/L TRIGGER)		



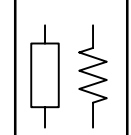
...LOW / HIGH LEVEL TRIGGER



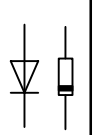
TRANSISTOR:



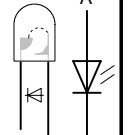
RESISTOR:



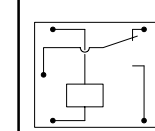
DIODE:



LED:

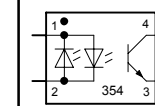


RELAY:



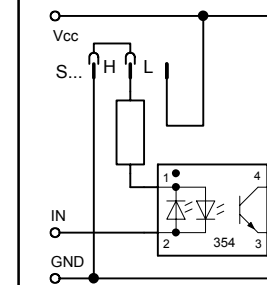
(TOP VIEW)

OPTO COUPLER HCPL-354:

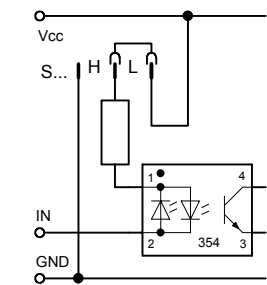


Opto-Couplers or Opto-Isolators transmit information by light waves. The sender (LED) and receiver (Photosensitive Transistor) are not electrically connected.

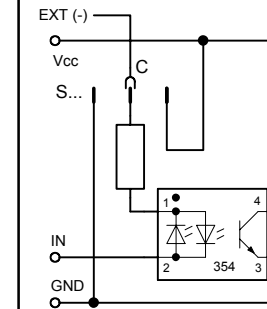
JUMPER SETTING FOR IN = HIGH LEVEL TRIGGER



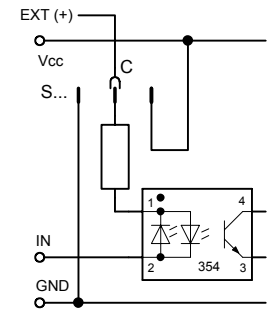
JUMPER SETTING FOR IN = LOW LEVEL TRIGGER



JUMPER REMOVED FOR ISOLATED IN = HIGH LEVEL TRIGGER



JUMPER REMOVED FOR ISOLATED IN = LOW LEVEL TRIGGER



RYM INFO	A4	udo@elgers.com	ue-ERT20210301-25	01-MAR-2021
	A	4 CH. 5 DCV RELAY MODULE (H/L-TRIGGER)		

www.retro-circuits.com

The information in this brochure is for hobby and education / training purposes only and should not be regarded as a binding presentation of any specific product. No part of this brochure may be reproduced!

DISCLAIMER:

This brochure provides a selection of general everyday information. The information in this brochure is believed correct. However the author can not have full knowledge of your application. Therefore you are responsible for ensuring the safety and operability of your design. The author can not be held responsible for any damages resulting from the information in this brochure. If you do not agree with this disclaimer, pls. do not use the information out of this brochure.

WARNING:

IF YOU'RE NOT FAMILIAR WITH THE PRECAUTIONS THAT SHOULD BE TAKEN WHEN WORKING WITH VOLTAGES OVER 24 V, SEEK FOR ADDITIONAL GUIDANCE BEFORE CONNECTING ANY CIRCUIT TO HIGH VOLTAGE SOURCES SUCH AS HOUSEHOLD MAINS LINES OF 120 ... 240 VAC OR EVEN HIGHER. THESE VOLTAGE LEVELS ARE VERY DANGEROUS!

ACCORDING TO LOCAL AND INTERNATIONAL REGULATIONS, WORKING WITH MAINS VOLTAGE IS RESERVED FOR QUALIFIED ELECTRICIANS ONLY!!!

Bad Bentheim, 1st. March 2021

Udo Elger

Udo Elger
48455 Bad Bentheim / Kuhlenkamp 22
Germany
Email: info@retro-circuits.com